

News of Grace

Monthly Newsletter ♦ November 2015



Tom Lappan, Bunny Lyon Clapp, Richard Clapp, Dick Carlson, Linda Batchelor, Erv Simi, Jeanette Grove,

Carolynne Wegmeyer, Elfie Jahnke, Lorraine Leathead,

Gloria Moore, Dave Chroninger, Harold & Jean Kissau, Jim Malaski, Karen & Walter Spigelmyre, Dorothy Gentry, Emma Nelson, Iris Snyder, Deanna Lamb, Martin Suszek, Larry Beaudoin, Michele Amelotte, Rev. Doug McCormick, Cody Gustin, Shirley Johnson, Mike Knoblett, Dennis Diamond, Stuart Grenkowicz, Sam Brown, Jaiden, and Victoria Stoltz.

We also remember the families of...

Shirley Hirzel, who passed away October 8th.

James Grommon, who passed away October 24th. (His wife, Lori, is part of our cleaning crew on Monday mornings.)

Baptism

We pray for God's blessings for...

Madelyn Elisabeth Boyd, who was baptized October 4th. Her parents are Amy & Travis Swinson and her sponsors are Amy & Jeff Blumenthal.



Confirmation



God bless Taylor Marie Agius, Kody Boyd Bertrand, Madelyn Elisabeth Boyd, Brooke Kristina Schiller, and Kaitlyn Elizabeth Schultz who were

Confirmed on October 25th. Following worship, a reception was held in their honor.



Semi-Annual Meeting

Sunday, November 1

following

9:30 a.m. Worship

On the agenda:

- Budget Adoption
- Election of Officers



Julefest Bake Sale

December 5

9:00 a.m. - 12:30 p.m.

Sale items may be brought in on Friday, December 4, beginning at 8:00 a.m. and continuing through the day. We appreciate any baked or homemade goods and canned items.

We would also appreciate any craft items you make and would like to donate. If possible, please package and price your items. (We will do that for you, if you prefer.)

Please invite your family and friends to this annual event sponsored by the women of Grace. Contact Darlene Freel at 354-8866 with any ideas, and if you can help on Friday or Saturday. Thanks!

**Air-tight tins are needed for packaging. Please leave any you would like to donate in the kitchen. Thanks!

*From the
Pastor*



Well fall color was certainly different this year, later than usual. I was in the UP in the middle of October and the color had not yet peaked. Certainly there was color, yet different. Some trees I look for around Alpena didn't have the usual intensity of color.

Waiting and anticipating. We get our hopes up. Then it turns out not quite as expected. And we are disappointed. Yet are we looking, seeing everything that is really there?

So photographing the fall color in the UP, I had to change my expectations and find what was there to concentrate on and photography. It wasn't only the color expectations. At times it was too overcast to photograph sunrise or sunset. Or at times it was too windy for what I wanted. So often I went for the small detail rather than the bigger picture. I needed to look harder **and differently** to appreciate the beauty that was around me when I didn't see what I expected and wanted.

How many times are we like that in life? Setting our expectations for something. Only to be disappointed when it is not exactly like we had envisioned. And then, and then, we do not see what is around us. The beauty and the positive and unique. Just different than we have had expected and were looking for. So we fail to see what is there and happening.

I've had some discussions with people, "Is the world, society, life better than it was before?" Many want to say no. And there are many examples cited. Violence, wars, people in desperate need, children who are hurting in many places, the injustice and inequality. The list goes on. Yet there is another side to look at. Diseases that have been eradicated, longer lives, more knowledge that can be shared quickly, more equality with justice and peace for more people in the world, more people than ever contributing to the betterment of the world,

Is the world perfect? No not by any stretch of the imagination. It is the not the utopia we could dream of. Yet looking in spots there are signs of hope and possibility.

One thing holds hope for me. Think for a moment how long God has been waiting for us to get it right. Or at least get it better. I think God holds those expectations and hopes. We are not there yet. God also sees what we are doing that indeed is better than before. Living more Christ like. Still knowing there is more to do to be even more Christ like. I can only imagine God wants more peace, justice, love and grace in the world. Yet God also sees what is happening and gives thanks for it when it does.

I invite you to have expectations, hopes and dreams. Then to look around at all that there is and even when it doesn't match your expectations, look again to see where God's work is happening and light is shining.

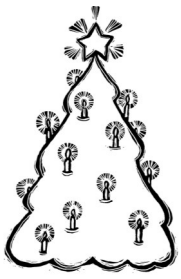
Thanks be to God.

Pastor Tom



Visioning Retreat – Saturday, January 9, 2016

An all-day retreat for everyone in the congregation beginning a process to develop the vision of Grace that God is calling us to be. A vision requires that we discern the **PURPOSE** that God has for this specific church and the group of people we are right now in this time and place and then for the future. Then determining what **GUIDING PRINCIPLES** will take us along the path to be what God wants for us to be.



Seeking Donations For a New Christmas Tree

Our large Christmas tree, used in the sanctuary for Christmas, broke last year and needs to be replaced. Therefore, we are seeking donations to purchase a new 12-ft. pre-lit tree, with an **approximate cost of \$1,500**. Our fundraising campaign began September 11, with the Pancake Breakfast and Euchre Party/Game Night. A total of \$761.50 was raised. Some donations were received in the office prior to/after the event, bringing our **current total raised to \$1,444.50!** Wow, we are almost to our goal!!

For every \$20 donated, you can take one of the Christmas tree bulbs in the basket, by the tree in the Fellowship Hall, and write your name, or the name of your children, grandchildren, prayer partner, etc. on the bulb. Some have added the year too. There is a marker in the basket with the bulbs. Then put the completed bulb in the other basket and we will hang them on the tree in the Hall. After Christmas, you will receive the bulb back and can present it to the person named on the bulb, if you like.

Someone from the Fellowship Committee will be available on Sundays, following the service, for those who want to make a donation, through **11/22/15**. You can also give your donation to Peggy, in the church office. If you had already made a donation, prior to last Sunday, please help yourself to a bulb for every \$20 donation and include it on our tree.

Thank you all for your generosity! We can all look forward to having a beautiful new Christmas tree to adorn our sanctuary this year. If you have any questions, please see one of the Fellowship Committee Members.



November 26
5:00 p.m.
at
Grace Lutheran

Turkey, dressing, potatoes & gravy & drinks provided

Please sign-up on the sheet in the Narthex by 11/22/15 and indicate if you are able to bring a salad, vegetable, bread/rolls or dessert to share.

Feel free to invite your friends and neighbors to join us.

Also, the Pankeys and Schultzes will be at the church cooking by 3 p.m., so if you want to come early to play cards or board games before dinner, you are welcome to do so.



Call Jeanne & Roger Pankey at 354-2416 or Pat & Dale Schultz at 356-2781 with questions.



Thank you very much for the goodie bag I received. I really appreciated it!

Elfie Jahnke

Understanding Advance Medical Directives November 4 ~ 7:00 p.m.

On November 4th at 7 pm, Dr. Avery Aten will offer a workshop on formulating an advance directive. This will be an interactive session with Dr. Aten presenting some examples then taking questions on your specific concerns. Join us in the Lounge and bring your concerns and curiosity. See Pastor Tom for further info.



Outreach and Mission

Local

Discipleship



Items Needed:

- * Tuna & Tuna Helper
- * Peanut Butter & Jelly
- * Pancake Mix & Syrup
(Just add water kind)
- * Elbow Macaroni

The collection basket is located outside the church office. All items collected will be donated to Trinity Episcopal's food pantry.



The tree will be up the weekend of Nov. 14 & 15, with ornament tags available so be thinking of how you would like to contribute to that project. Ornaments on

the tree will contain needs provided by the ACC Wish List and items will need to be turned in by Wednesday, December 2nd.

Keeping in Touch with Our Loving Care Members

Continue to remember our Loving Care members with cards, etc. especially as the holidays approach us. The Discipleship Committee challenges all members to think about ways each of us can be the hands and feet of Jesus by offering to take someone shopping or go get something they need, help wrap gifts or write cards. What seems little to you can be something very big to someone else!

Prayer Partners

There are now 28 Prayer Partner teams with great things happening amongst those pairs!

Homeless Walk

Saturday, November 7th

Put this on your calendar...let's get a bunch of Grace walkers. More info to follow!

Statewide - LSSM Foster Children Program

The program continues to have a great need for underwear (boys and girls) ages potty-trained through age 13. Also socks and toiletries. A collection basket is located in the Narthex.

Global - Lutheran World Relief

Thanks for participation in the school kit program for Lutheran World Relief (LWR). Twenty school bags were sent off along with 171 quilts. A special thank you to Judy Kautz and her daughter, Susan, for donating and packing over 12 school kits. Sunday School children sorted and packed the remainder.

A grand total of 232 quilts were made by our quilters/sewers this year, with some of them remaining here to be used when local needs arise. A special thank you to Gary Grove for transporting the quilts to Immanuel Lutheran Church to be combined with quilts from other Lutheran congregations and shipped overseas through LWR. The "noisy offering" for October was used to help pay shipping on the quilts and school kits.

World Vision "Sponsor a Child" Program

Our Sunday School students have sponsored Noella since 2007! Read all about her on the bulletin board in the dining hall.



Mark your calendars!!!

Christmas Caroling ~ December 13th

More info to follow...

Women of Grace

The Women of Grace will meet on Wednesday, November 18, in the lounge beginning at 1:00 p.m., which will include a Bible lesson, fellowship and a short business meeting. ALL WOMEN are welcome every month.



St. Matthew Lutheran Church Bazaar & Breakfast

November 7, 2015
8:30 a.m. - 1:00 p.m.

Handcrafted Items
Cookie Walk
Pantry Items
Sauerkraut
Baked Goods
Bucket Auction

Hungry? We're serving an all you can eat hot breakfast buffet! Take-out available. Adults: \$8, kids 5-12 yrs: \$5, kids under 5 eat free.

Order your
Christmas wreaths!
**7109 Wolf Creek Rd.,
Herron
989-727-2769**

GRACE EV. LUTHERAN CHURCH

Staff & Leadership Telephone Numbers

CHURCH OFFICE 354-2640

Rev. Tom Orth Home 356-8729
..... Cell 916-8759
Office Manager.... Peggy Tomaszewski..... 255-8850
Music Director Berniece Lyon Clapp 464-7064

ADMINISTRATIVE BOARD

President Tom Lappan..... 356-3718
Vice-President..... Harry Kautz 595-3568
Exec. Secretary..... Sandy Malaski..... 356-6248
Treasurer..... Dennis Werblow 354-5560

WORK GROUP LEADERS/COUNCIL

Education Jim & Kristin Berles 358-2768
Worship Sharon Engstrom 354-5133
Discipleship Joelyn Rich 340-0592
Property Jeff & Sandy Welch 595-2195
Fellowship..... Thelma Stevens..... 340-0599
Finance..... Rick Engstrom..... 916-5963

OTHER V.I.P.s

Stewardship... Wayne Christopherson 356-0430
Youth Director..... Vicki Denstaedt 916-9258
WELCA..... Darleen Freel..... 354-8866
..... Dorothy Hansen..... 354-3563
L.S.S.M. Kay Grove 727-2054
Quilters..... Caroline Weise 354-8060
..... Dorothy Hansen..... 354-3563
LARCC Eleanor Coddington 354-8766
..... Kay Grove..... 727-2054

October 2015

Finances

GENERAL FUND.....\$ 14,747.00
BUILDING FUND..... 460.00
CHRISTIAN GROWTH5.00
OTHER 3,180.48
TOTAL.....\$ 18,392.48

Attendance

SATURDAY WORSHIP (4) 123
SUNDAY WORSHIP (4) 380
TOTAL..... 503

(Does not include 10/31)

OPPORTUNITIES TO SERVE THE LORD

NOVEMBER 2015

ACOLYTES

01 NIC TIMMRECK
08 MITCHELL AGIUS
15 PAIGE TIMMRECK
22 BROOKE SCHILLER
29 KODY BERTRAND

HOSPITAL

JANET CHRONINGER

LECTORS

01 CORINNE FRALEY
08 SHARON ENGSTROM
15 RUBY HASKE
22 SANDY WELCH
29 VERNA FURZE

USHERS

MICK & KAY ZINSLI
WAYNE & ANNA LEWIS
CLARENCE & BONNIE CROSS

GREETERS

01 BARB WERLE, ELLIE WALKER
08 ROGER & JEANNE PANKEY
15 POLLY COOK, TAMMY FURZE
22 WAYNE & CHRIS CHRISTOPHERSON
29 CLARENCE & BONNIE CROSS

COUNTERS

GARY & KAY GROVE

COMMUNION ASSISTANTS

JOE GENTRY
WAYNE LEWIS

ALTAR GUILD

KAREN SUSZEK
JO ANN SMITH

FLOWERS

01 RICH
08 LANG
15
22
29 GENTRY

COFFEE HOUR

01 RICH & SHERIE MCTAGGART
08 BARB WERLE, ANGIE CRITTENDEN,
ELLIE WALKER
15 RUBY & OLIVIA HASKE
22 JOE & DAWN GENTRY, ANNE GENTRY
29 ROGER & JEANNE PANKEY

PLEASE, please, please try to find a replacement or someone to switch with if you are unable to fulfill your Sunday scheduled duty AND share the change with Peggy. Thank you!

OPPORTUNITIES TO SERVE THE LORD

DECEMBER 2015

ACOLYTES

06 TAYLOR AGIUS
13 JAKE SCHILLER
20 CHASE SCHILLER
24 Early
Late ALLISON URLAUB
27 ADAM URLAUB

LECTORS

06
13 TAYLOR DENSTAEDT
20 PATTI TUCKER
24 Early ANNA LEWIS
Late JOE GENTRY
27 BOB GREENE

GREETERS

06 VICKI, TREVOR, TAYLOR &
ISABELLE DENSTAEDT
13 RICH & SHERIE MCTAGGART
20 JOEL & CORINNE FRALEY
27 DON & VERNA FURZE

COMMUNION ASSISTANTS

DALE SCHULTZ
GARY NICHOLLS

FLOWERS

06
13
20
27 CHRISTMAS FLOWERS

HOSPITAL

JANET CHRONINGER

USHERS

WAYNE & CHRIS CHRISTOPHERSON
JOEL & CORINNE FRALEY
CORKY GATES
PHRAN LUDINGTON
NIC TIMMRECK

COUNTERS

CLARENCE & BONNIE CROSS

ALTAR GUILD

GENTRY FAMILY
DENTSTAEDT FAMILY

COFFEE HOUR

06 DON & VERNA FURZE, TAMMY FURZE
13 DALE & PAT SCHULTZ
20 VICKI, TREVOR, TAYLOR &
ISABELLE DENSTAEDT
27 CORKY GATES, PATTI MACNEILL,
PHRAN LUDINGTON

*PLEASE, please, please try to find a replacement or someone
to switch with if you are unable to fulfill your Sunday
scheduled duty AND share the change with Peggy. Thank you!*



November



Birthdays

November 2
Olivia Haske
Iris Snyder
Cindy Suszek

November 4
Harold Kissau
Britni Nowak

November 5
Lori Graham

November 8
Edward Jahnke
Melissa Timmreck

November 10
Hannah Matzke

November 11
Linda Gapske
Gracie Gillard
Brent Welch

November 12
Diane O'Connor

November 13
Doug Chroninger

November 15
Betty Dulebohn

November 16
Michael Moors

November 17
Kassandra McInerney

November 18
Nancy Stachnik
Karyn Vass

November 20
Sherie McTaggart
Judy Kautz

November 21
Kevin Graham

November 23
Lynn Kieliszewski
Matthew Kieliszewski

November 24
Melissa Chabot
Tara Lang

November 25
Monica Jahnke
Erin McCourt

November 26
Davis Crittenden

November 28
Lisa McIntosh
Brody Yuchasz

November 30
Matthew Timrick

Anniversaries of Baptism



November 1
Beverly Suszek

November 11
Jessica McKenzie

November 12
Nicholas Schillerstrom

November 13
Norman Schillerstrom

November 21
Elaine Hatch
Iris Snyder

November 23
Gudrun Seck
Ashley Timmreck
Madison Timmreck
Melissa Timmreck
Nicholas Timmreck
Paige Timmreck
Dan VanEssen

November 24
Chris Christopherson

November 25
Emilee Manning

November 26
Christy Jordan

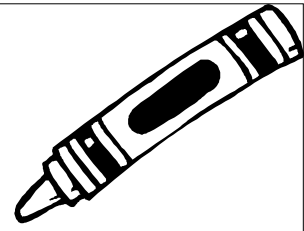
November 29
Scott Kuligowski
Brian Schiller
Ellie Walker



Wedding Anniversaries

9th Ian & Amelia Kamyszek
11th Walter & Karen Spigelmyre
25th Anthony & Laura Thompson

Kid's Page

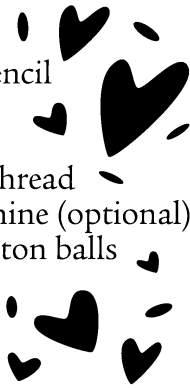


Thankful Hearts

Make table decorations that serve as Thanksgiving conversation-starters.

What you need:

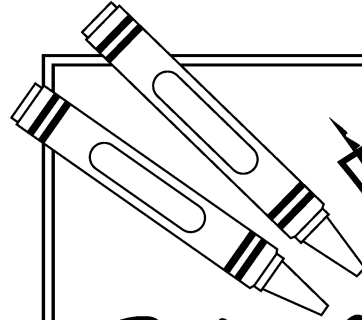
- Paper and pencil
- Scissors
- Cloth or felt
- Needle and thread
- Sewing machine (optional)
- Fiber fill, cotton balls or rice
- Adult help



What you do:

1. Cut out a heart pattern (any size) on paper. Allow 1/4" for a seam if you'll be using a sewing machine.
2. Cut out material hearts, placing pieces right sides out if sewing by hand and right sides together if using a machine.
3. For hand-sewing, use a running stitch or an overcast stitch. Leave an opening for stuffing.
4. With a machine, sew along a 1/4" seam, allowing a 1" opening so you can turn the heart inside out and insert stuffing. Trim close to seam but don't cut stitching.
5. Fill with stuffing. Sew the opening shut by hand.
6. Put a heart at each place setting. Before dinner, have guests pick theirs up and say why they have a thankful heart.

PUZZLE



With all my heart



This Thanksgiving — and every day — let's thank our heavenly Father for all he has done.

Directions: Write the capital letters in order on the lines below to complete Psalm 9:1, NIV.

I	a	W	I	d	L	d	L	G	e
I	f	V	g	h	E	c	T	H	y
A	a	g	N	K	c	m	S	n	T
h	O	q	Y	O	b	U	c	L	O
p	R	e	D	W	a	I	T	H	A
h	L	L	t	M	b	Y	d	H	E
A	R	b	T	d	I	W	I	f	L
g	L	T	E	b	L	c	L	O	j
F	z	A	L	y	L	Y	O	g	U
R	W	d	O	N	t	D	E	f	R
F	U	s	L	D	f	E	E	D	S

“ _____
 _____,
 _____;
 _____.”

PSALM 9:1, NIV

Answer: "I will give thanks to you, LORD, with all my heart; I will tell of all your wonderful deeds." Psalm 9:1, NIV